

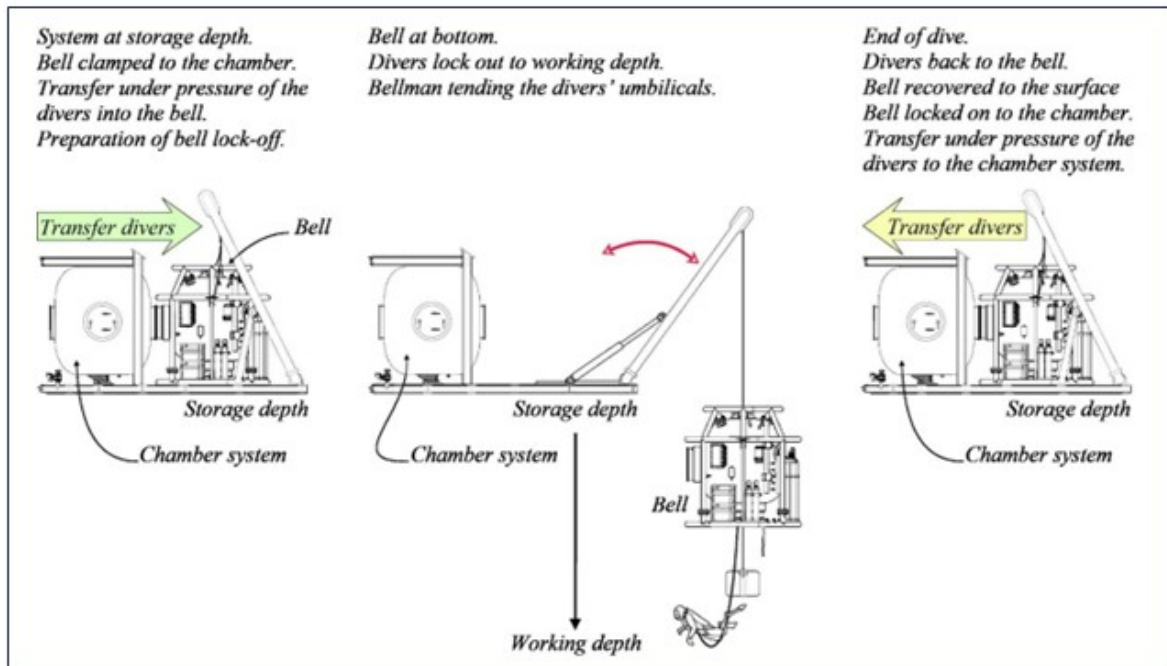
# Diving and Hyperbaric Medicine

The Journal of the South Pacific Underwater Medicine Society  
and the European Underwater and Baromedical Society©

SPUMS

Volume 56 No. 1 March 2026

EUBS



## Excursion procedures in saturation diving

Full face masks for ventilation in dive rescue

10,000 open access post-dive Doppler recordings

Lung ultrasound changes in deep breath-hold divers

Timing of HBO in sudden hearing loss

Scuba tank fills for calculating accident rates

Decision regret and shared decision making in HBOT

Transgender people and occupational diving

Outcomes after recompression in inner ear DCS

Irrigation diluents after caustic cocktail ingestion

Dual rebreathers for deep long dives

# CONTENTS

Diving and Hyperbaric Medicine Volume 56 No. 1 March 2026

## 1 The Editor's offering

### Original articles

#### 2 Exploring the use of full-face masks for ventilation in dive rescue

Elizabeth A Blizzard, Andrew A Grandin, Dalelynn Sims

#### 8 An echo from the past: open access repository of over 10,000 annotated Doppler audio recordings of venous gas emboli

S Lesley Blogg, Arian Azarang, Rachel Lance, Frauke Tillmans, Richard Moon, Virginie Papadopoulou, Peter Lindholm

#### 13 Changes in lung ultrasound presentation induced by breath-hold diving in a simulated depth competition at Taiwan

Ying-Jen Chi, Hsiu-Yung Pan, Po-Chun Chuang, Chi-Yung Cheng, Han-Yu Li, Meng-Huan Wu

#### 21 Review of excursion procedures used in commercial heliox saturation diving

Jean-Pierre Imbert, Lyubisa Matity, Jean-Yves Massimelli, Christian Cadieux, Jan Risberg, Philip Bryson

#### 41 Treatment success in relation to timing of hyperbaric oxygen therapy in idiopathic sudden sensorineural hearing loss

Cheuk-Yin Lun, Kwan-Leong Au Yeung, Yuk-Fai Lau, Wing-Wa Yan, Kin-Bong Tang

#### 48 Scuba tank fill survey in Victoria, Australia, 1 July 2024 to 30 June 2025

John Lippmann

#### 52 Decision regret and shared decision-making in patients undergoing hyperbaric oxygen therapy

Joost R Meijering, Nurseda Risvanoglu, Julia D van Waard, Johanna H Nederhoed, Rigo Hoencamp, Robert A van Hulst, Dirk T Ubbink

### Review articles

#### 59 Transgender people and occupational diving: a new challenge for diving physicians?

Pieter-Jan AM van Ooij, Annemarije R Bek, Robert A van Hulst

#### 71 Outcomes in the treatment of inner ear decompression sickness with hyperbaric oxygen therapy, a systematic review

Rosanna J Stokes, Jonathan Marsden, Doug Watts, Gary Smerdon, Stephen D Hall, Lisa Bunn

### Short communication

#### 83 Efficacy and safety of potential irrigation diluents following 'caustic cocktail' ingestion

Adam Lee, Catherine Moore, Adam Griffiths

### World as it is

#### 88 Dual rebreathers in practice: example experiences from the Wetmules and COBRA Divers

Daniel Lee, Craig Challen, Gareth Lock

### Letters to the Editor

#### 95 Liver disease and the Diver Medical Participant Questionnaire

Andrew George Watson, Tiong Yeng Lim

#### 96 Comment on 'Effects of fluid loss on the physiology of closed-circuit rebreather divers after 100- and 45-metre dives by Tuominen, et al.'

Peter T Wilmshurst, Christopher Edge

#### 97 Reply to comment by Peter T Wilmshurst and Christopher Edge

Laura J Tuominen, Anne K Räisänen-Sokolowski, Richard V Lundell

### Obituary

#### 99 Daniel Mathieu, MD, PhD

Written by Parmentier E, Germonpré P, Kot J, Marroni A

### SPUMS notices and news

#### 100 President's report

Neil Banham

#### 102 Mike Bennett Scholarship

#### 104 SPUMS Diploma in Diving and Hyperbaric Medicine

(Updated June 2025)

#### 105 SPUMS 54th Annual Scientific Meeting 2026 notice

### EUBS notices and news

#### 106 President's report

Bengüsu Mirasoğlu

#### 107 EUBS Notices and news

#### 107 EUBS 50th Scientific Meeting 2026

#### 109 Events, courses & meetings

#### 110 Diving and Hyperbaric Medicine: Instructions for authors

(Full version – updated January 2026)